

PLEASE CHECK WWW.MOLEX.COM FOR LATEST PART INFORMATION

Part Number: [0002085101](#)
Status: **Active**
Description: Claspcon Crimp Terminal Socket, Tin (Sn) Plated Brass Contact, 16-24 AWG, Reel

Documents:

[Drawing \(PDF\)](#) [RoHS Certificate of Compliance \(PDF\)](#)

Agency Certification

CSA LR19980
 UL E29179

General

Product Family Crimp Terminals
 Series [1881](#)
 Application Power
 Comments Interleaf Paper Throughout Reel
 Crimp Quality Equipment Yes
 Packaging Alternative [02-08-1102 \(Loose\)](#)
 Product Name Claspcon
 UPC 884982640559

Physical

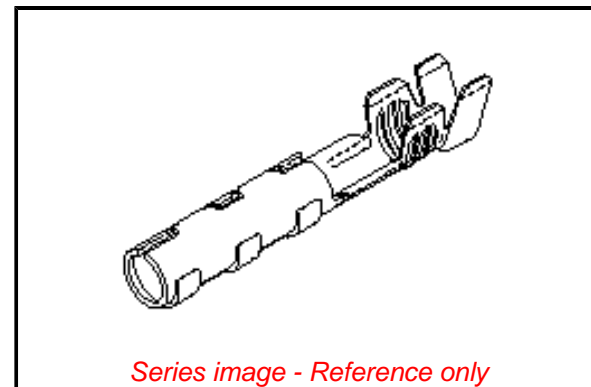
Gender Female
 Material - Metal Brass
 Material - Plating Mating Tin
 Material - Plating Termination Tin
 Net Weight 0.326/g
 Packaging Type Reel
 Plating min - Mating 0.508µm
 Plating min - Termination 0.508µm
 Termination Interface: Style Crimp or Compression
 Wire Insulation Diameter 3.50mm max.
 Wire Size AWG 16, 18, 20, 22, 24
 Wire Size mm² N/A

Material Info

Engineering Number 1881-2C1A-I

Reference - Drawing Numbers

Sales Drawing SD-1881-*



Series image - Reference only

EU ELV

Not Relevant

EU RoHS

Compliant

REACH SVHC

Not Contained Per -
 ED/30/2017 (7 July
 2017)

Halogen-Free

Status

Low-Halogen

**Need more information on product
 environmental compliance?**

Email productcompliance@molex.com
 Please visit the [Contact Us](#) section for any
 non-product compliance questions.

China ROHS

ELV

RoHS Phthalates

Green Image

Not Relevant

Not Contained

Search Parts in this Series

[1881](#) Series

Mates With

16-06-0005